

# ORIZZONTE SOFA

Design · *pininfarina*



## SCHIENALE E SEDUTA | 1 BACK AND SEAT

Rivestimento in  
Upholstery in:

Tessuto  
Fabric



 MATERIAL SHEET- A

Super  
Extra  
Luxury

## DETTAGLIO DETAIL | 2

Legno  
Wood



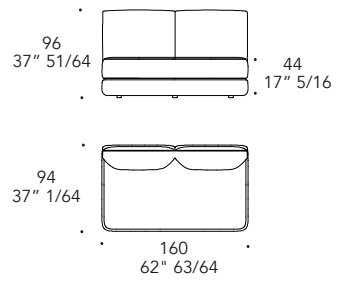
Noce canaletto  
Canaletto walnut



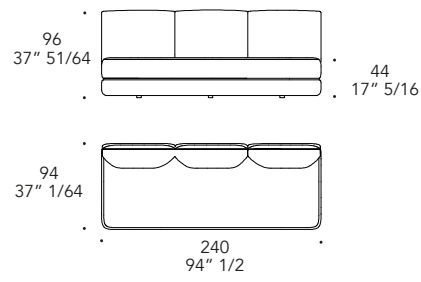
Frassino scuro  
Dark Ashwood

Meccanismo manuale integrato per la regolazione dello schienale  
Integrated manual mechanism for backrest adjustment

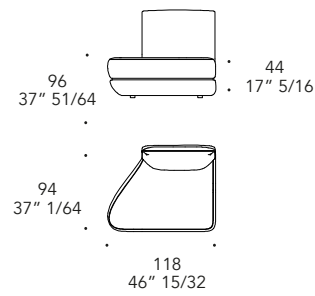
A 2p



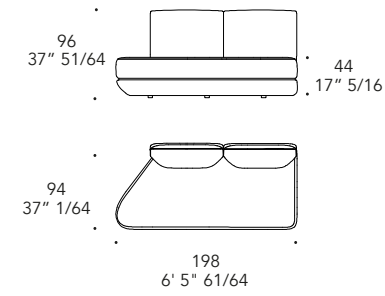
A 3p



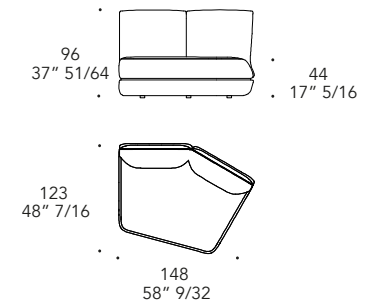
B 1p SX / DX



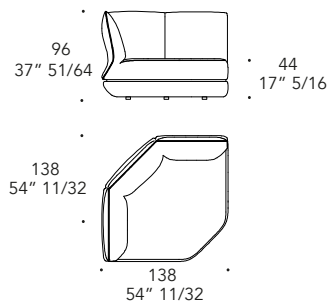
B 2p SX / DX



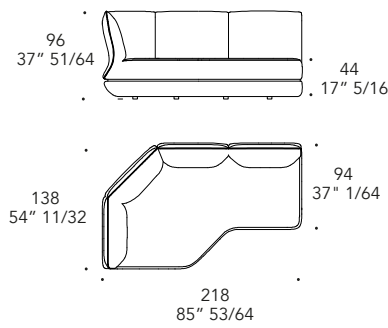
C 2p



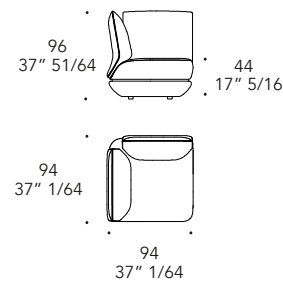
D



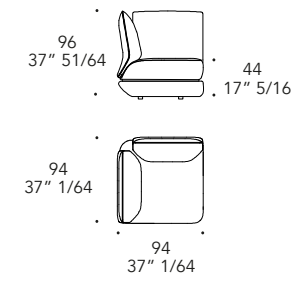
E SX / DX



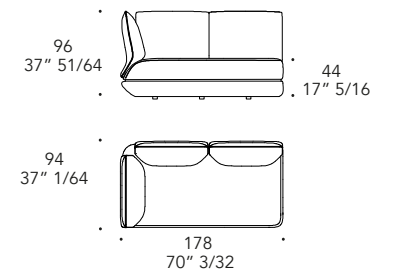
F 1p SX / DX



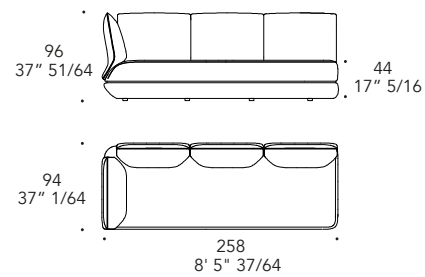
F 90°



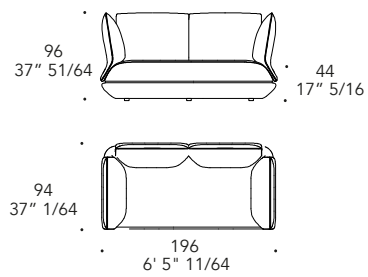
F 2p SX / DX



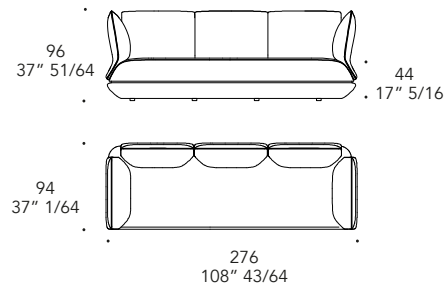
F 3p SX / DX



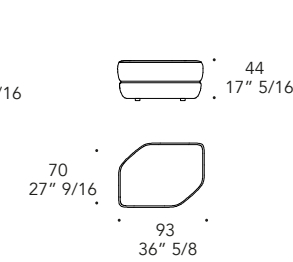
G 2p



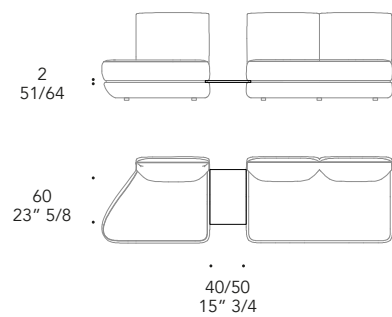
G 3p



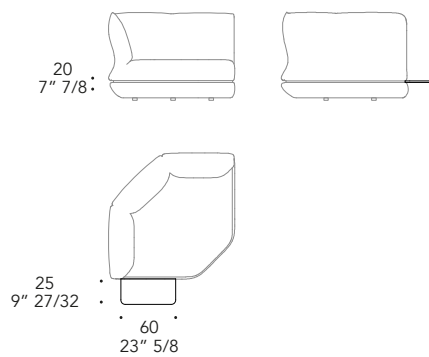
POUF



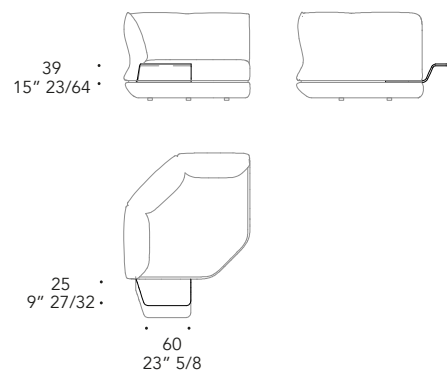
tavolino ponte  
bridge-table



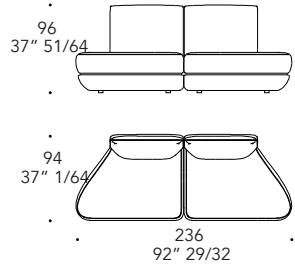
bracciolo curvo  
curved armrest



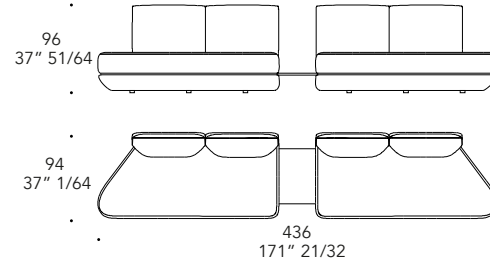
tavolino laterale  
side table



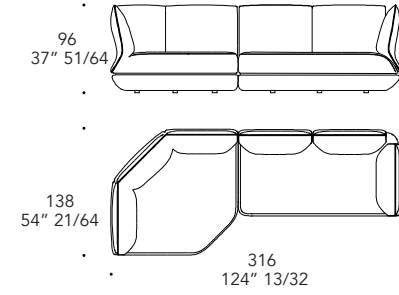
Composition 1



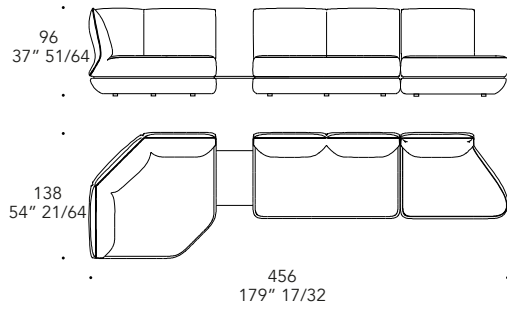
Composition 2



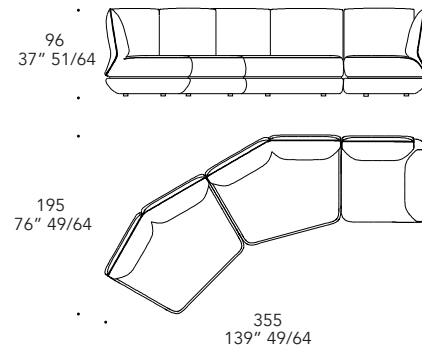
Composition 3



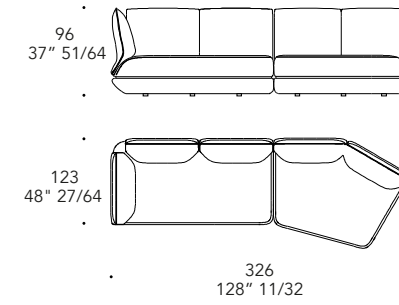
Composition 4



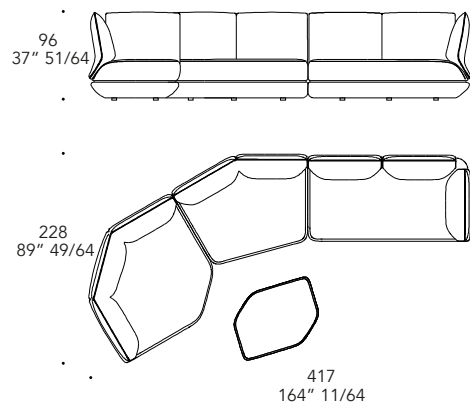
Composition 6



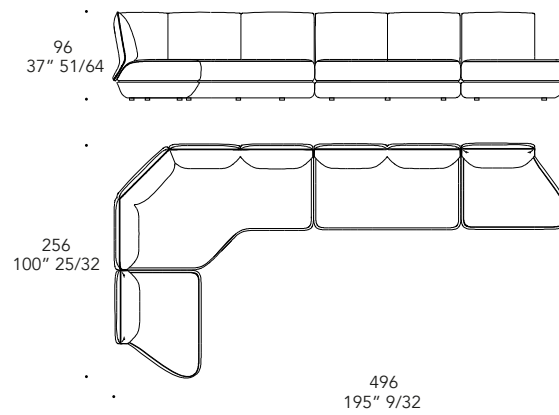
Composition 7



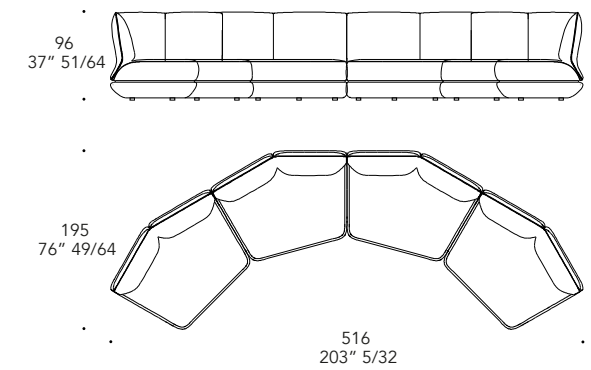
Composition 8



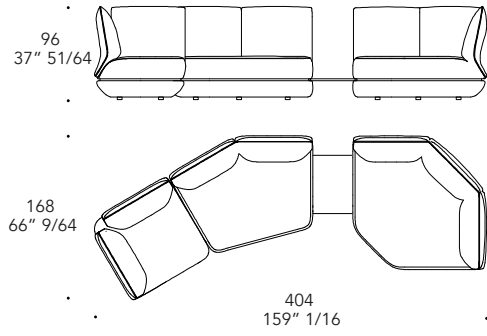
Composition 9



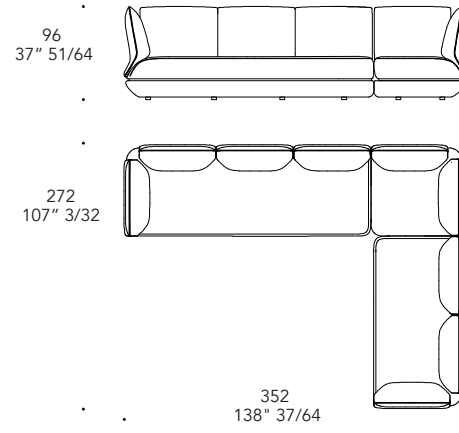
Composition 10



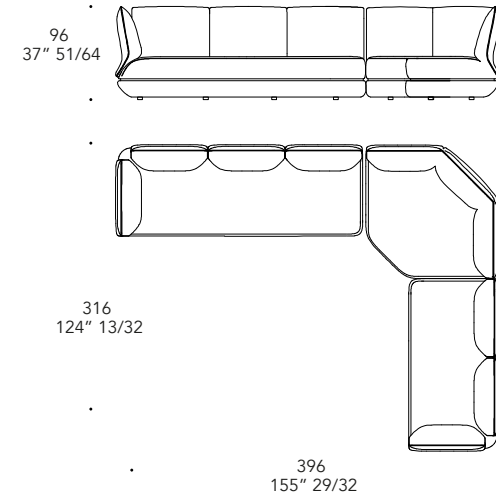
Composition 11



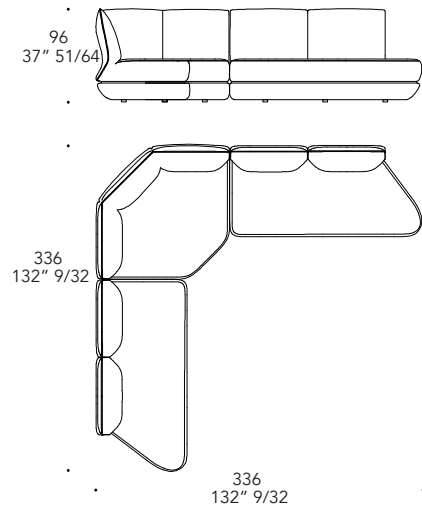
Composition 12



Composition 13



Composition 11



Composition 12

